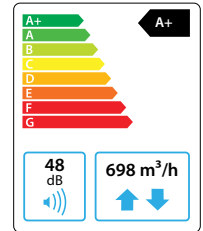


# Domekt R 700 F C6M

Maximal air flow, m <sup>3</sup> /h	698
Maximal air flow, l/s	194
Unit weight, kg	93
Supply voltage, V	1~230
Maximal operating current, A	HE11,7
Thermal efficiency of heat recovery, %	83
Reference flow rate, m <sup>3</sup> /s	0,136
Reference pressure difference, Pa	50
SPI, W/(m <sup>3</sup> /h)	0,25
Filters dimensions BxHxL, mm	368x375x46
Electric power input of the fan drive at reference flow rate, W	65
Electric power input of the fan drive at maximum flow rate, W	175
Electric air heater capacity, kW / Δt, °C	2/12
Maintenance space, mm	500
Control system	C6M



## Acoustic data

A-weighted sound power level  $L_{WA}$ , dB(A)  
at reference flow rate

Supply inlet	55
Supply outlet	68
Exhaust inlet	55
Exhaust outlet	68
Casing	48

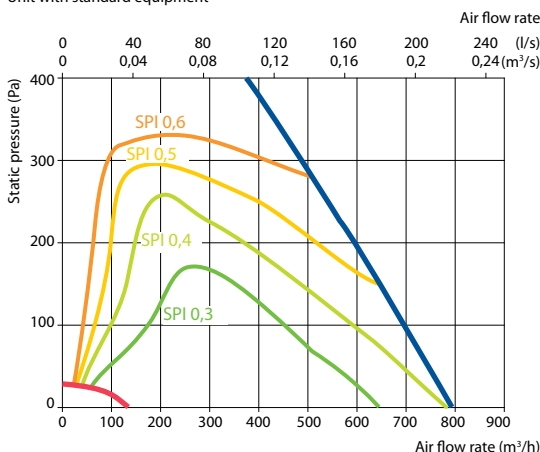
A-weighted sound pressure level  $L_{PA}$ , dB(A)

10 m<sup>2</sup> normally isolated room, distance from casing – 3 m.

Surroundings	36
--------------	----

## Performance

Unit with standard equipment

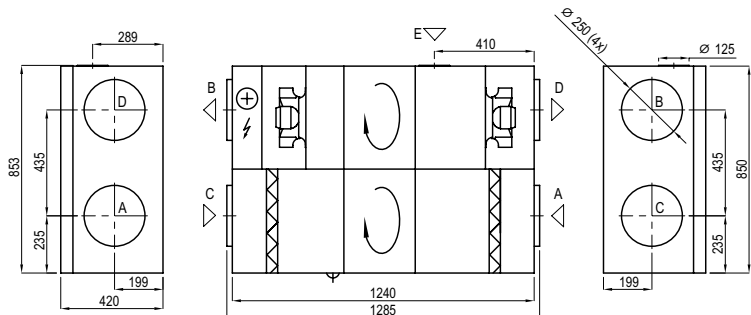


## Temperature efficiency

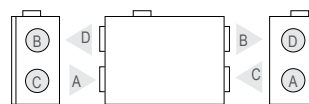
	Winter					Summer		
Outside temperature, °C	-23	-15	-10	-5	0	25	30	35
After heat exchanger, °C	14,2	15,6	16,5	17,3	18,2	22,5	23,4	24,2

indoor +22°C, 20 % RH

### Shown as left (L1)

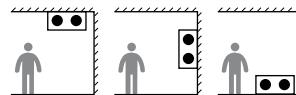


### Shown as right (R1)



A outdoor intake  
B supply air  
C extract indoor  
D exhaust air  
E additional extraction connection  
(by-pass – extraction without heat recovery)

### Mounting positions



## Accessories

Closing damper	AGUJ-M-250+LF230/CM230
Silencer	A/D AGS-250-50-600-M
	B/C AGS-250-50-900-M
Water heater	DH-250
PPU	PPU-HW-3R-15-0,63-W2
2-way valve (heater)	VVP47.10-0,63

Water cooler	DCW-0,7-5
2-way valve (cooler)	VVP47.15-2,5
Outdoor grill	LD-250
Water heater-cooler	DHCW-250
DX cooler	DCF-0,7-5
Cooling unit	MOU-18HFN8a+KA8140

